

141 SERIES

MOLDED/POTTED INSERTS, SNAP-IN TYPE

MEDIUM DUTY

TABLE I

CODE NO.	T THREAD	A DIA ±.010	B SELF-LK ±.06	C DIA ±.010	INSL HOLE +.010/-.000
632	6-32 UNC	.500	.12	.427	.468
832	8-32 UNC	.500	.12	.427	.468
1032	10-32 UNF	.531	.12	.458	.500
420	1/4-20 UNC	.594	.16	.521	.562
428	1/4-28 UNF	.594	.16	.521	.562
518	5/16-18 UNC	.656	.20	.583	.625
524	5/16-24 UNF	.656	.20	.583	.625
616	3/8-16 UNC	.719	.20	.646	.687
624	3/8-24 UNF	.719	.20	.646	.687

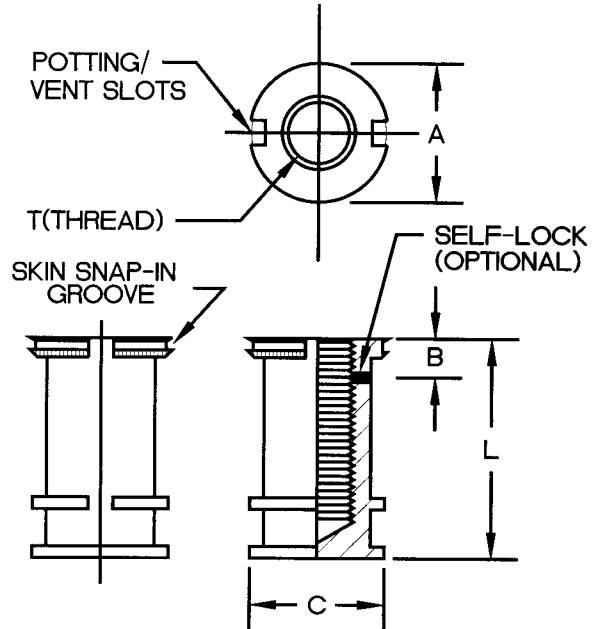


TABLE II

DASH NO.	L ±.03 LENGTH	MINIMUM			FULL	THREAD	DEPTH	
		#6	#8	#10	1/4	5/16	3/8	
-5	.312	.162	.162	--	--	--	--	
-6	.375	.225	.225	.175	--	--	--	
-7	.437	.276	.287	.237	--	--	--	
-8	.500	.276	.328	.375	.225	--	--	
-10	.625	.276	.328	.375	.350	.350	.350	
-12	.750	.276	.328	.375	.475	.475	.475	
-14	.875	.276	.328	.375	.500	.600	.600	
-16	1.000	.276	.328	.375	.500	.625	.725	
-18	1.125	.276	.328	.375	.500	.625	.750	

EXAMPLE: PART NUMBERING SYSTEM

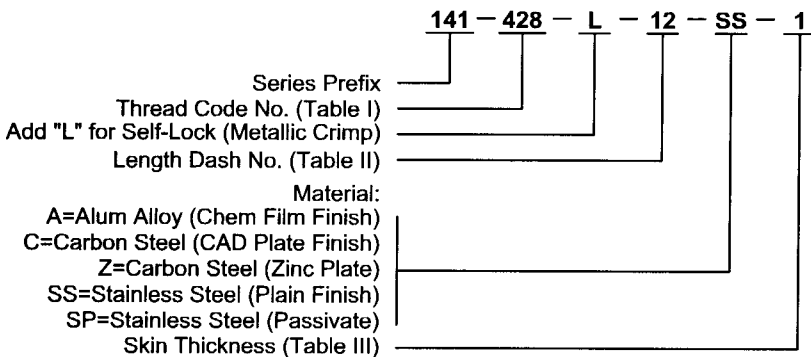


TABLE III

DASH NO.	SKIN THICKNESS INSTALL SIDE
-1	.010-.019
-2	.020-.029
-2	.030-.039
-4	.040-.049
-5	.050-.059
-6	.060-.069
-7	.070-.079
-8	.080-.089
-9	.090-.099

- Notes:**
1. Threads per MIL-S-7742
 2. Installation tabs are available