

WITTEN FASTENERS

120 SERIES

THREADED INSERT, BLIND, REGULAR HEAD STYLE

LIGHT DUTY - PRESS IN

TABLE I

CODE NO.	T THREAD	A DIA +.005/- .000	INSTL HOLE +.005/- .000
632	6-32 UNC	.245	.250
832	8-32 UNC	.245	.250
1032	10-32 UNF	.307	.312
420	1/4-20 UNC	.370	.375
428	1/4-28 UNF	.370	.375
518	5/16-18 UNC	.432	.437
524	5/16-24 UNF	.432	.437
616	3/8-16 UNC	.495	.500
624	3/8-24 UNF	.495	.500

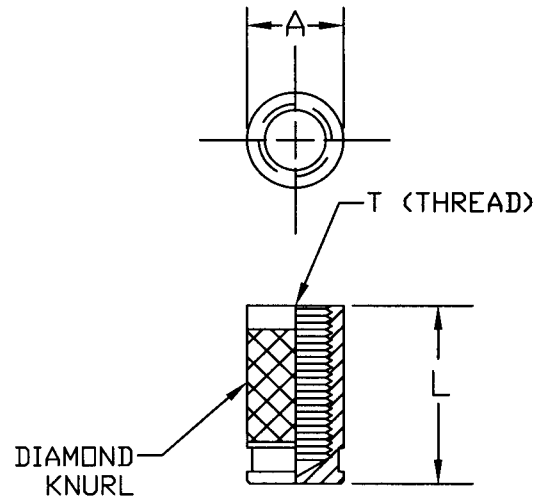


TABLE II

DASH NO.	L ±.03 LENGTH	MINIMUM FULL THREAD DEPTH					
		#6	#8	#10	1/4	5/16	3/8
-6	.375	.225	.225	.175	--	--	--
-7	.437	.276	.287	.237	--	--	--
-8	.500	.276	.328	.300	.225	--	--
-10	.625	.276	.328	.375	.350	.350	.350
-12	.750	.276	.328	.375	.475	.475	.475
-14	.875	.276	.328	.375	.500	.600	.600
-16	1.000	.276	.328	.375	.500	.625	.725

EXAMPLE: PART NUMBERING SYSTEM

