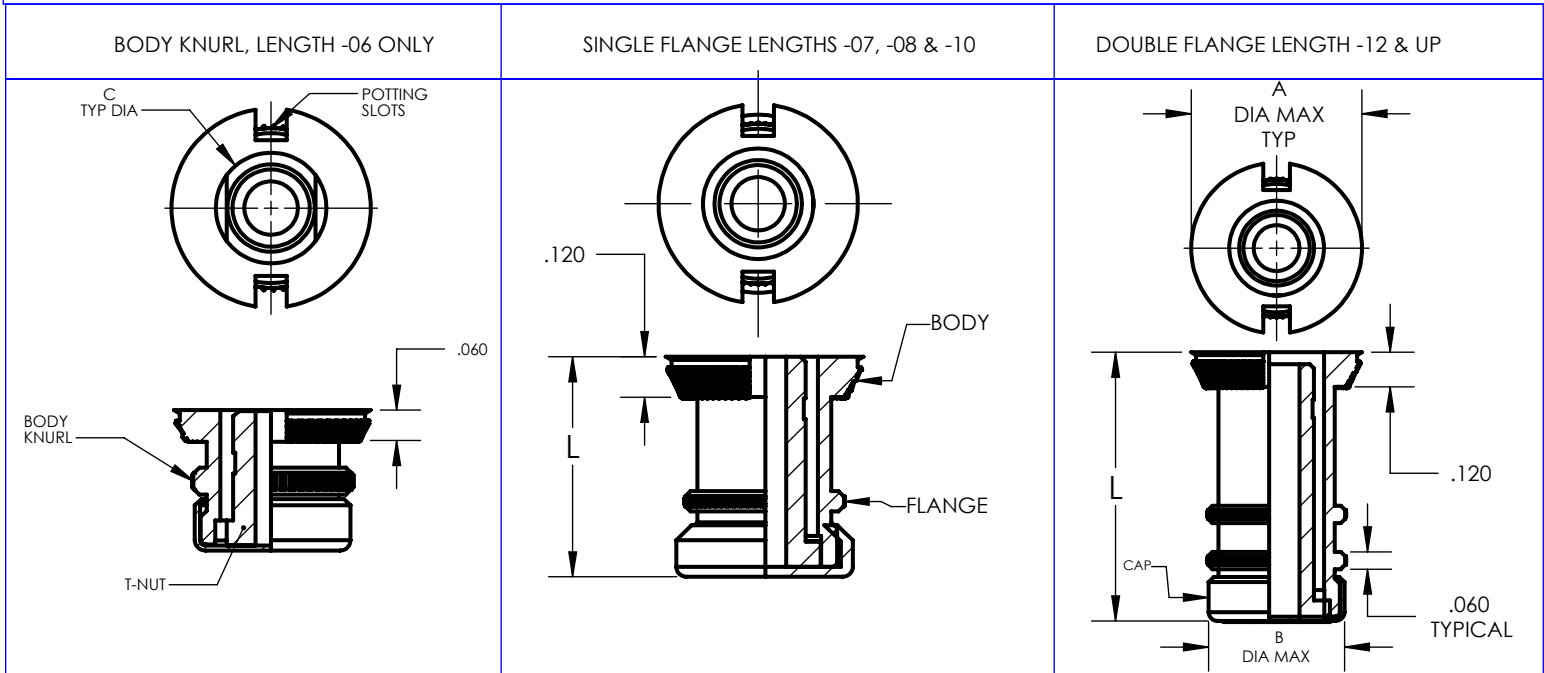


# 2402 SF SERIES

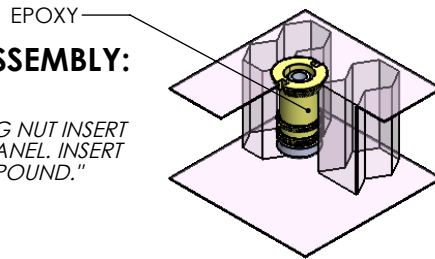
FLOATING INSERT, SNAP-IN HEAD STYLE

## CROSS REFERENCE

WITTEN	STANDARDS/OTHER	SHUR-LOK	THE YOUNG ENGINEERS	ALCOA/TRIDAIR
2402SF			TYE3006	400SF



### TYPICAL ASSEMBLY:



### CROSS REFERENCE

"TYPICAL SERIES 2402SF SNAP-IN FLOATING NUT INSERT INSTALLED IN HONEYCOMB SANDWICH PANEL. INSERT IS HELD IN PLACE BY CURED EPOXY COMPOUND."

PART NUMBER EXAMPLE:

2402SF6-1032-08- 2

ADD "NS" IF POTTING SLOTS ARE NOT REQUIRED

SKIN THICKNESS, TABLE II

LENGTH, TABLE III

ADD "M" FOR SOLIDFILM LUBE ON THREADS

THREAD SIZE, TABLE I

THREAD TYPE: N = THREADED ONLY  
- = CRIMP LOCK PER MIL-N-25027

MATERIAL FOR NUT

"6"=303 STAINLESS STEEL PER ASTM-A-582, PASSIVATE PER ASTM-A-967

"9"=1215 CARBON STEEL PER ASTM-A-108, CAD PLATE PER SAE-AMS-QQ-P-416 TYPE 2, CLASS 2.

FLUSH HEAD STYLE, SNAP-IN, FLOATING NUT, POTTING SERIES

SERIES DESIGNATION

# 2402 SF SERIES

FLOATING INSERT, SNAP-IN HEAD STYLE

## CROSS REFERENCE

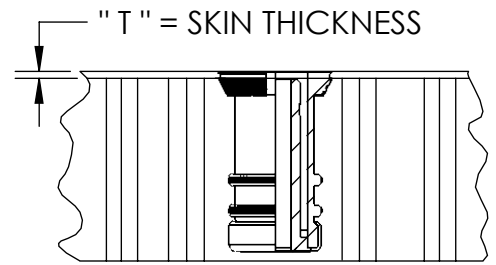
WITTEN	STANDARDS/OTHER	SHUR-LOK	THE YOUNG ENGINEERS	ALCOA/TRIDAIR
2402SF			TYE3006	400SF

**TABLE I**

CODE	T THREAD	A DIA	B DIA	C DIA	INSTALLATION HOLE
440	4-40 UNJC-3B	.531	.489	.323	.500-.505
632	6-32 UNJC-3B	.531	.489	.323	.500-.505
832	8-32 UNJC-3B	.593	.551	.323	.562-.567
1032	10-32 UNJF-3B	.593	.551	.323	.562-.567
420	.25-20 UNJC-3B	.718	.676	.437	.687-.692
428	.25-28 UNJF-3B	.718	.676	.437	.687-.692
518	.312-18 UNJC-3B	.843	.801	.437	.812-.817
524	.312-24 UNJF-3B	.843	.801	.437	.812-.817
616	.375-16 UNJC-3B	.968	.926	.515	.937-.942
624	.375-24 UNJF-3B	.968	.926	.515	.937-.942

**TABLE II**

DASH NO.	SKIN THICKNESS "T"
-1	.010 - .019
-2	.020 - .029
-3	.030 - .039
-4	.040 - .049
-5	.050 - .059
-6	.060 - .069



**TABLE III (MINIMUM FULL THREAD)**

LENGTH DASH NUMBER	L	THREAD SIZE						
		440	632	832	1032	420 428	518 524	616 624
-06	.335	.224	.276	.292	.292	-	-	-
-07	.395	.224	.276	.328	.350	.350	.350	.350
-08	.455	.224	.276	.328	.380	.410	.410	.410
-10	.565	.224	.276	.328	.380	.500	.520	.520
-12	.690	.224	.276	.328	.380	.500	.625	.645
-14	.812	.224	.276	.328	.380	.500	.625	.750
-16	.935	.224	.276	.328	.380	.500	.625	.750

NOTE: 1. MINIMUM RADIAL FLOAT IS .031"

2. TOLERANCES: XXX = +/- .010

3. MATERIAL FOR BODY IS 2024 T351 OR T4 ALUMINUM PER QQ-A-225/6 WITH CHEM FILM PER MIL-DTL-5541F CLASS 1A.

4. MATERIAL FOR CAP IS 2024 T351/T4 OR 6061 T6511, T6, T651 OR T6511 TP "O" CONDITION ALUMINUM WITH CHEM FILM PER MIL-DTL-5541F CLASS 1A.