

WITTEN FASTENERS

355 SERIES-METRIC THRU-HOLE THREADED INSERT W/ FLANGE

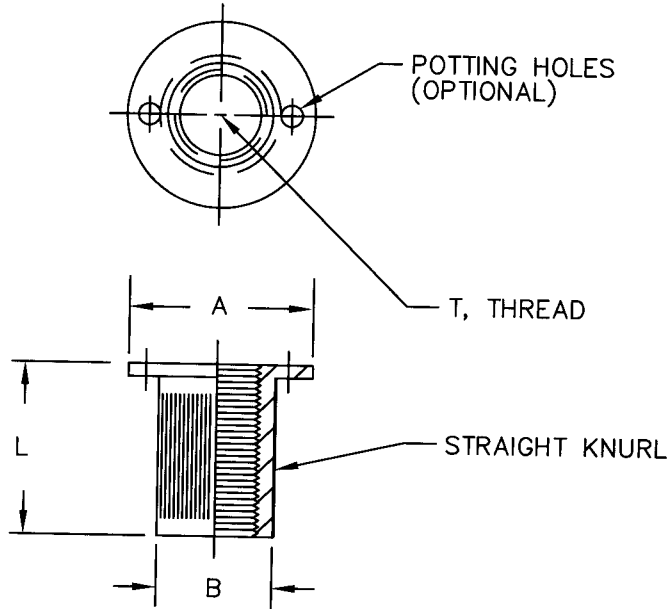


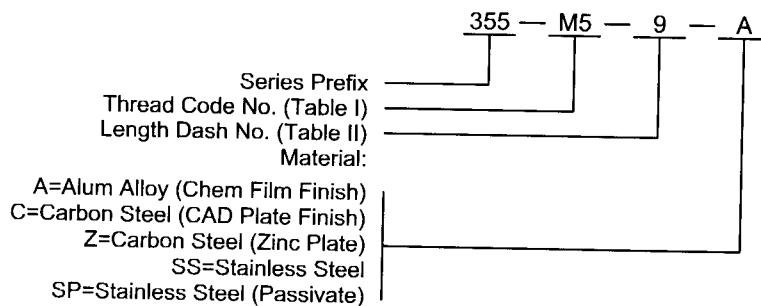
TABLE I

CODE NO.	T THREAD	A DIA ±.010	B DIA +.010 -.000	INSTALL HOLE +.010 -.000
M2.5	M2.5 X .45	.487	.177	.187
M3	M3 X .5	.518	.208	.218
M4	M4 X .7	.550	.240	.250
M5	M5 X .8	.581	.271	.281
M6	M6 X 1	.643	.333	.343
M8	M8 X 1.25	.737	.427	.437
M10	M10 X 1.5	.800	.490	.500
M12	M12 X 1.75	.862	.552	.562
M14	M14 X 2.0	.925	.615	.625

TABLE II

DASH NO.	L ±.030
-4	.250
-5	.312
-6	.375
-7	.437
-8	.500
-9	.562
-10	.625
-11	.687
-12	.750
-13	.812
-14	.875
-15	.937
-16	1.000
-18	1.125
-20	1.250
-22	1.375
-24	1.500
-28	1.750

EXAMPLE: PART NUMBERING SYSTEM



WITTEN COMPANY, INC.
918-272-9567