

WITTEN FASTENERS

354 SERIES THRU-HOLE THREADED INSERT W/ FLANGE

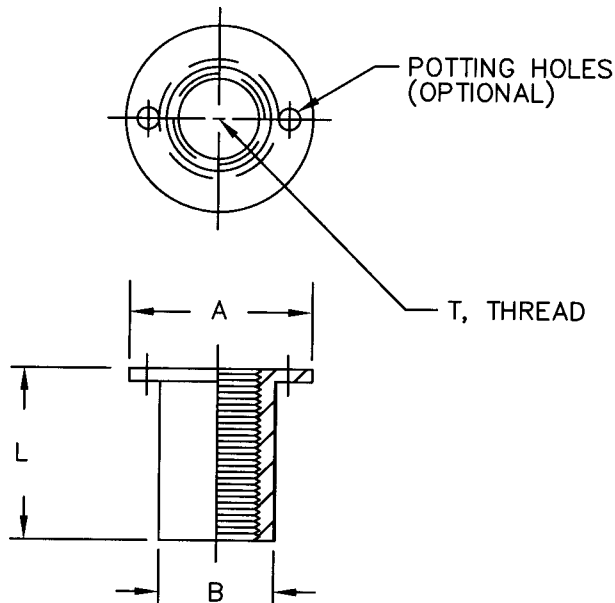


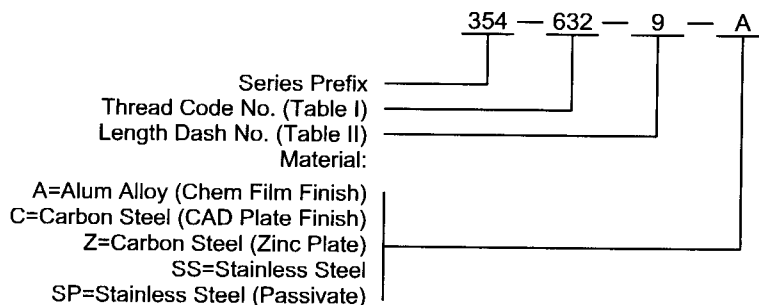
TABLE I

CODE NO.	T THREAD	A DIA ±.010	B DIA +.010 -.000	INSTALL HOLE +.010 -.000
440	4-40 UNC	.487	.177	.187
632	6-32 UNC	.518	.208	.218
832	8-32 UNC	.550	.240	.250
1032	10-32 UNF	.581	.271	.281
420	1/4-20 UNC	.643	.333	.343
428	1/4-28 UNF	.643	.333	.343
518	5/16-18 UNC	.737	.427	.437
524	5/16-24 UNF	.737	.427	.437
616	3/8-16 UNC	.800	.490	.500
624	3/8-24 UNF	.800	.490	.500
714	7/16-14 UNC	.862	.552	.562
720	7/16-20 UNF	.862	.552	.562
813	1/2-13 UNC	.925	.615	.625
820	1/2-20 UNF	.925	.615	.625

TABLE II

DASH NO.	L ±.030
-4	.250
-5	.312
-6	.375
-7	.437
-8	.500
-9	.562
-10	.625
-11	.687
-12	.750
-13	.812
-14	.875
-15	.937
-16	1.000
-18	1.125
-20	1.250
-22	1.375
-24	1.500
-28	1.750

EXAMPLE: PART NUMBERING SYSTEM



WITTEN COMPANY, INC.
918-272-9567