

# WITTEN FASTENERS

## 352 SERIES THRU-HOLE SLEEVE, PROTRUDING

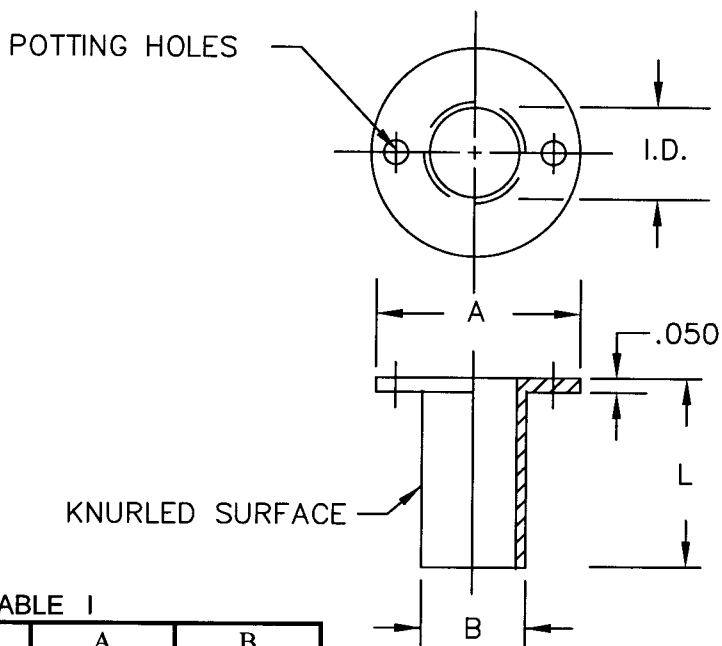


TABLE I

DASH NO.	I.D. ±.005	A ±.020	B ±.010
-101	.153	.550	.253
-103	.179	.550	.379
-105	.202	.600	.302
-107	.217	.600	.317
-109	.265	.670	.365
-111	.280	.670	.380
-113	.327	.730	.427
-115	.342	.730	.442
-117	.390	.800	.490
-119	.405	.800	.505
-121	.452	.850	.552
-123	.467	.850	.567
-125	.515	.920	.615
-127	.530	.920	.630
-129	.640	1.050	.740
-131	.655	1.050	.755
-133	.765	1.170	.865
135	.780	1.170	.880

TABLE II

DASH NO.	L ±.030
-4	.250
-5	.312
-6	.375
-7	.437
-8	.500
-9	.562
-10	.625
-11	.687
-12	.750
-13	.812
-14	.875
-15	.937
-16	1.000
-18	1.125
-20	1.250
-22	1.375
-24	1.500
-28	1.750

### EXAMPLE: PART NUMBERING SYSTEM

